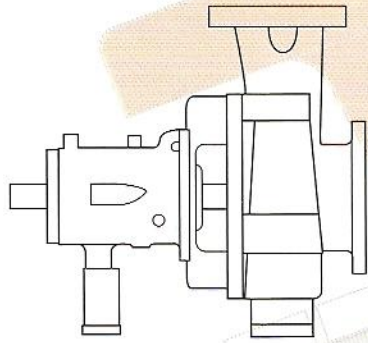


# Model OSD ANSI Pump



Reverse Vane Impeller



Semi-Open Impeller



Low Flow Impeller

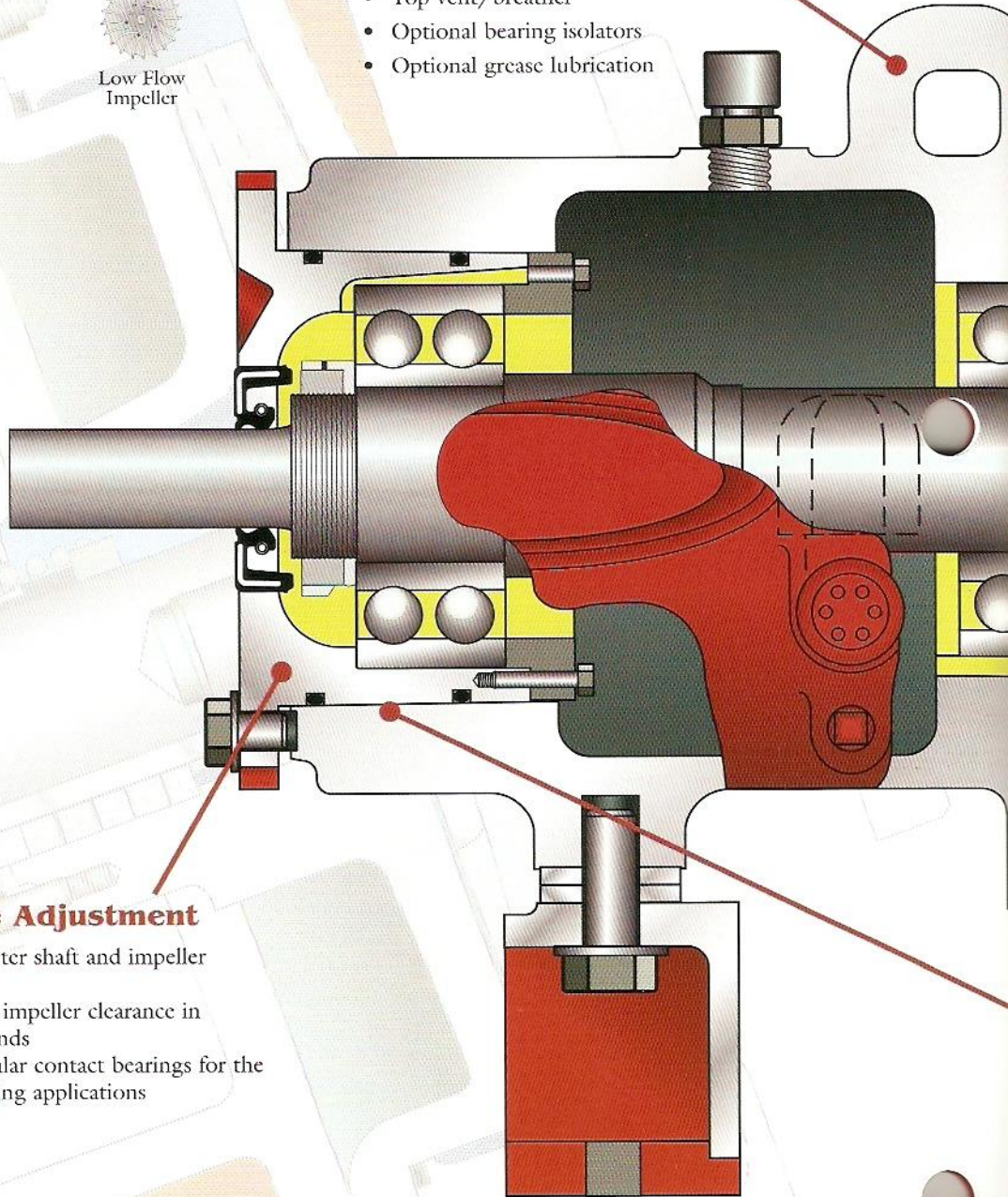
Flows To: 7,400 GPM  
Heads To: 985 Feet  
Temps To: 500° F

## Power Frame

- Heavy duty ductile iron
- Single row inboard and double row outboard bearings
- Oil lubricated with extra large oil sump
- Oversized oil level eye
- Double lip oil seals
- Top vent/breather
- Optional bearing isolators
- Optional grease lubrication

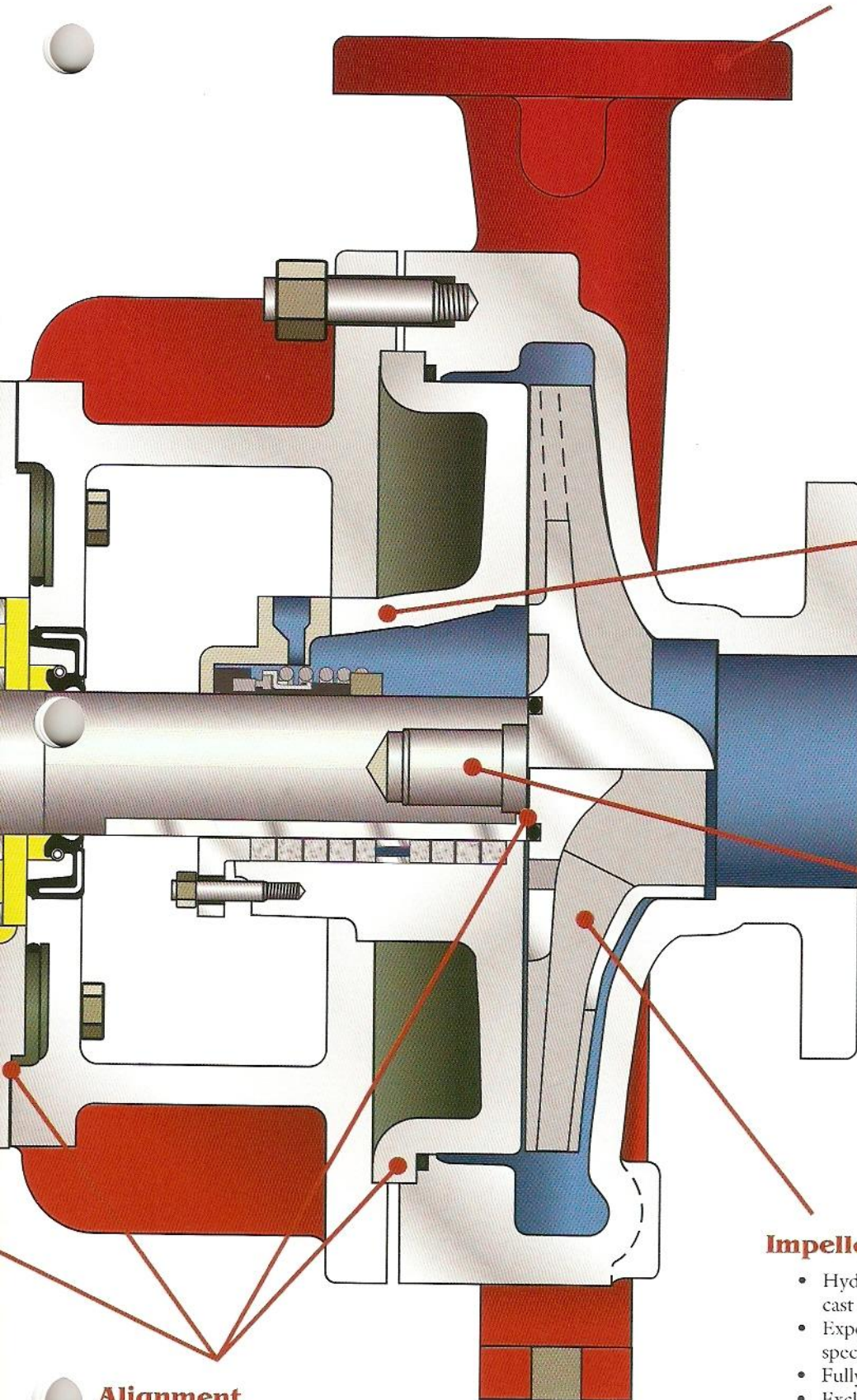
## Markets:

-  Chemical
-  Food & Beverage
-  General Industry
-  Marine
-  Mining & Aggregate
-  Oil & Gas
-  Power Generation
-  Petro-Chemical
-  Pharmaceutical
-  Pulp & Paper
-  Water & Wastewater



## Power Frame Adjustment

- Micro-millimeter shaft and impeller adjustment
- Accurately set impeller clearance in 15 to 20 seconds
- Optional angular contact bearings for the most demanding applications



## Casing

- Standard cast steel or other specified material
- Fully meets ANSI B73.1M standards
- Heavy wall thickness to provide for generous corrosion allowance
- Fully cast integral feet for support when utilizing “back-pull-out” feature
- Centerline discharge transmits residual pipe strain to feet of casing and allows for self venting
- Class 150 pound flat face flanges standard
- Optional 150# raised face, 300# flat face and 300# raised face suction and discharge flanges

## Engineered Seal Chambers

- Five (5) seal chambers available depending on application (FML, FMS, FMI, CBI & CBS)
- Extend mechanical seal life
- Utilize less expensive seals and flush plans
- Improve pump reliability
- Optional packing for abrasive applications
- Optional jacketed seal chambers

## Shaft

- Designed and sized especially for the pump and its applications
- Investment cast or high alloy bar stock available
- Solid, hook sleeve, friction welded or composite shafts available
- Offset keyways to aid shaft balance
- Runout of <math><0.001</math> inches at mechanical seal allows seal faces to run true

## Impeller

- Hydraulically balanced one piece investment cast of cast steel or other alloy
- Expertly machined to customer specifications
- Fully balanced prior to assembly
- Exclusive reverse vane design that offers repeatable pump performance
- Optional front semi-open impeller

## Alignment

- Four precision machined metal-to-metal fit locations (other manufacturers offer only two)
- Precision machined metal-to-metal bearing carrier reduces stack-ups to improve shaft concentricity