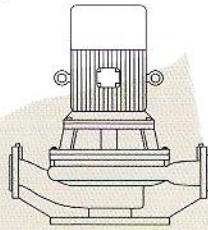


Model REI Vertical Inline

Sizes: 2" to 14"
 Flows: 9,000 GPM
 Heads: 450 Feet
 Temp: 250° F



Enclosed Impeller

Stuffing Box

- Standard American-Marsh Series 810 Carbon/Silicon-Carbide/EPDM mechanical seal
- Easily replaceable shaft sleeve to extend life of shaft
- Internal flush line for lubrication
- One piece cast iron or other alloy

Services:

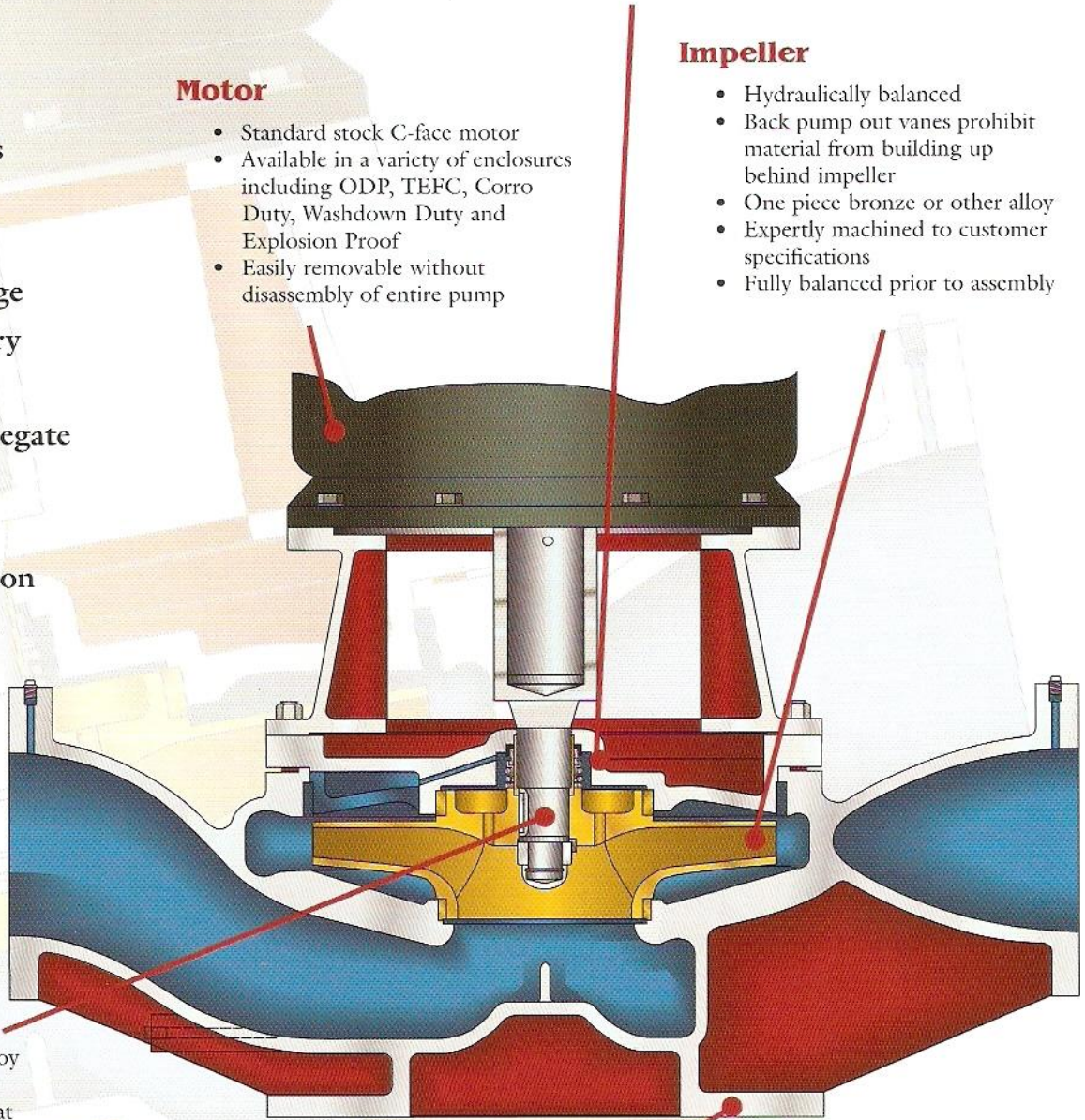
- Aerospace
- Building Trades
- Chemical
- Construction
- Food & Beverage
- General Industry
- Marine
- Mining & Aggregate
- OEM
- Oil & Gas
- Power Generation
- Petro-Chemical
- Pharmaceutical
- Pulp & Paper
- Semiconductor
- Water & Wastewater

Motor

- Standard stock C-face motor
- Available in a variety of enclosures including ODP, TEFC, Corro Duty, Washdown Duty and Explosion Proof
- Easily removable without disassembly of entire pump

Impeller

- Hydraulically balanced
- Back pump out vanes prohibit material from building up behind impeller
- One piece bronze or other alloy
- Expertly machined to customer specifications
- Fully balanced prior to assembly



Shaft

- 420 stainless steel alloy
- Rigid and sized to minimize deflection at seal area

Casing

- Heavy duty ASTM A48 cast iron or other alloy
- Cast integral square base
- Inline suction and discharge
- Integral vortex suppressor on suction
- Standard, heavy duty case wear ring
- Heavy wall thickness to provide generous corrosion allowance
- Back pull-out for quick removal of impeller assembly
- Pressure taps on suction and discharge to verify pump performance
- Optional 300# suction and discharge flanges
- Standard 250 lb case working pressure

